

METROPOLITAN ST. LOUIS SEWER DISTRICT

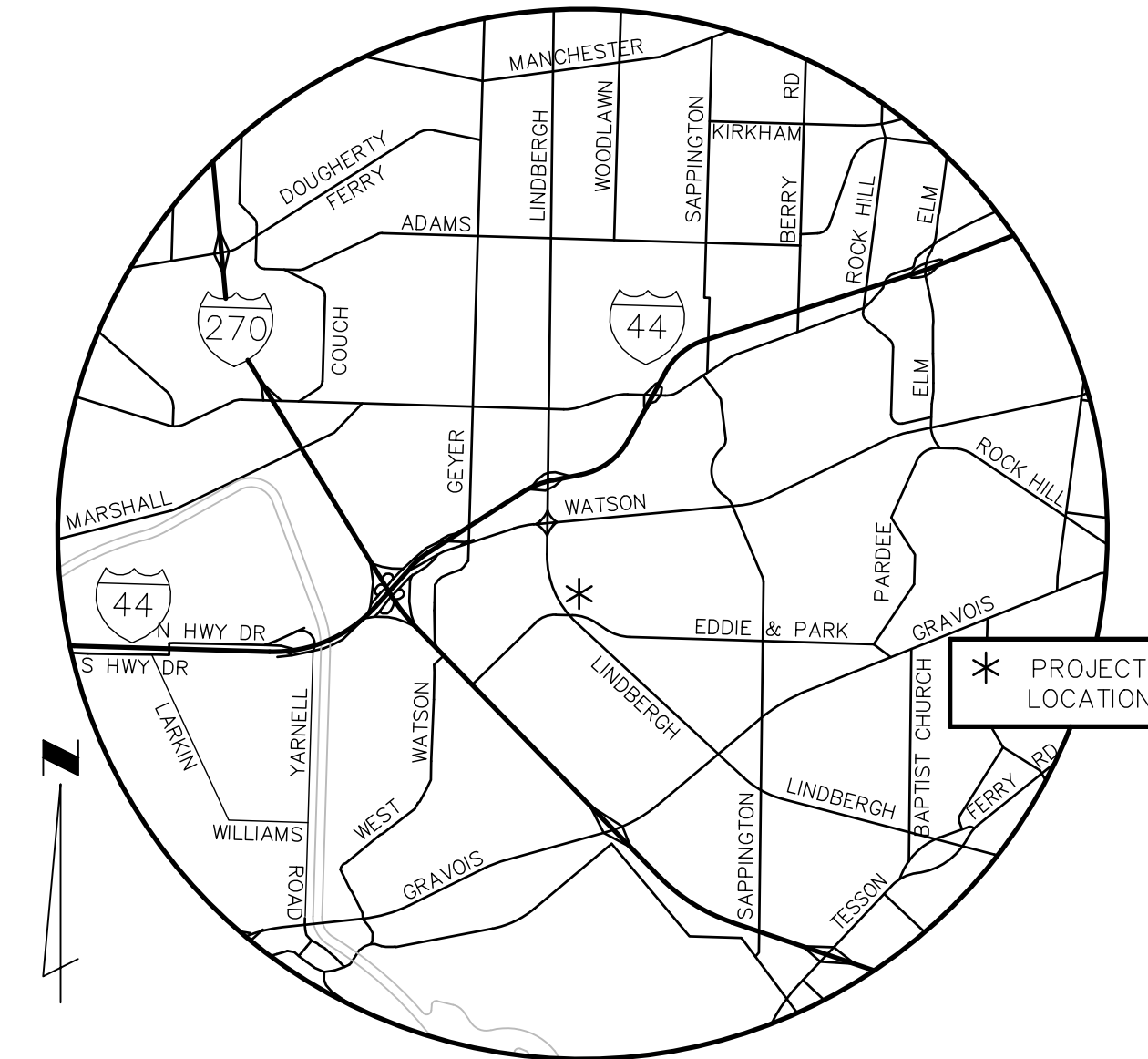
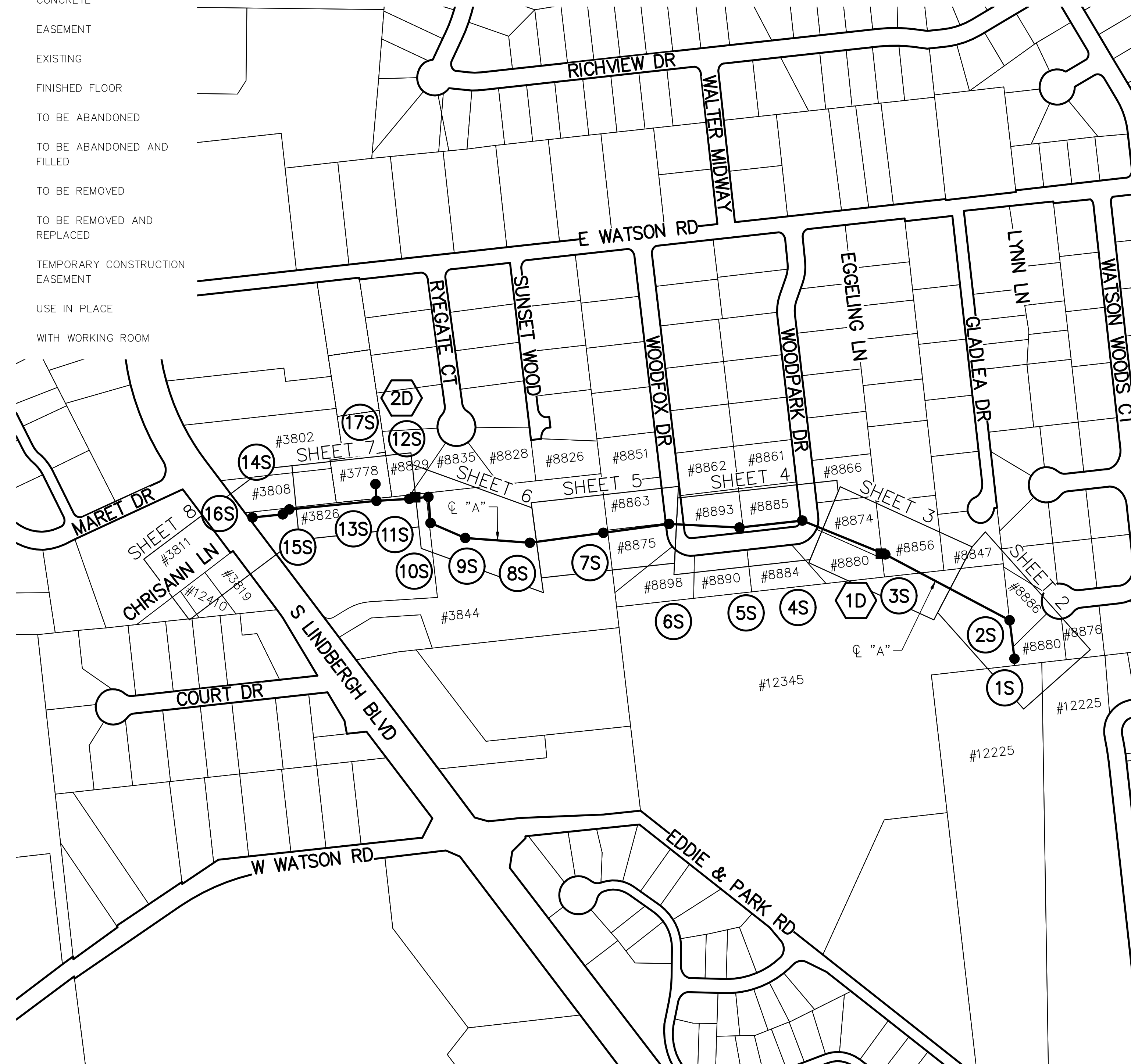
GLENFIELD SANITARY RELIEF (WATSON WOODS CT TO S LINDBERGH BLVD)

LEGEND

EXISTING		NEW
○	MANHOLE	●
◻	INLET MANHOLE	◼
□	INLET	■
▢	DOUBLE INLET	▣
○	MANHOLE DESIGNATOR	○
⬡	INLET OR STRUCTURE DESIGNATOR	⬡
◇	OUTLET OR FES DESIGNATOR	◇
⊠	JUNCTION CHAMBER DESIGNATOR	⊠
---	PIPE 6" THRU 18"	---
==	PIPE 21" THRU 108"	==
-x-x-	FENCE	-x-x-
-2'G-	UNDERGROUND UTILITIES	
~	FLOWLINE OF CREEK OR DITCH	
---	GUARD RAIL	
+	TREE	
○	BUSH	
---	HEDGE ROW	
▲	UTILITY METER OR VALVE	
●	POWER POLE	
●	POWER POLE & GUY	
○	STREET SIGN	
●	FIRE HYDRANT	
+	LIGHT STANDARD	
⊠	MAIL BOX	
○	HOUSE VENT	
○	TRAFFIC SIGNAL	
⊠	UTILITY BOX	
△	CONTROL POINT/TRaverse POINT	
◇	CONTROL POINT DESIGNATOR	
△	TRaverse POINT DESIGNATOR	
●	TEST HOLE	
---	CAPPED LATERAL	

ABBREVIATIONS

ASPH	ASPHALT
(C)	CALCULATED
CONC	CONCRETE
ESMT	EASEMENT
EX	EXISTING
FF	FINISHED FLOOR
TBA	TO BE ABANDONED
TBAF	TO BE ABANDONED AND FILLED
TBR	TO BE REMOVED
TBR&R	TO BE REMOVED AND REPLACED
TCE	TEMPORARY CONSTRUCTION EASEMENT
UIP	USE IN PLACE
WWR	WITH WORKING ROOM



LOCATION MAP
NOT TO SCALE

INDEX

SHEET NO.	DESCRIPTION
1	COVER SHEET
2-8	PLAN AND PROFILE

MSD BENCHMARK
HORIZONTAL AND VERTICAL CONTROL WAS ESTABLISHED USING "TRIMBLE R8" GPS EQUIPMENT, USING THE MODOT CONTINUOUSLY OPERATING MIDWEST RTK NETWORK. HORIZONTAL CONTROL IS REPORTED IN NAD-83 AND VERTICAL CONTROL IS REPORTED IN NAVD-88. FIELD WORK WAS PERFORMED DURING THE MONTH OF MARCH, 2021.

PROJECT BENCHMARKS

BM 12264-01
"SQUARE" CUT AT THE EAST SIDE OF CONCRETE COLUMN OF LIGHT STANDARD. ELEVATION 653.61

BM 12264-02
"CROSS" CUT AT THE WEST SIDE OF SANITARY MANHOLE (21M2-065S). LOCATED IN BEHIND OF #8880 WATSON WOODS COURT. ELEVATION 610.25

THE PROFESSIONAL WHOSE SIGNATURE AND PERSONAL SEAL APPEAR HEREON, ASSUMES RESPONSIBILITY ONLY FOR WHAT APPEARS ON THIS PAGE, AND DISCLAIMS (PURSUANT TO SECTION 327.411 RSMO) ANY RESPONSIBILITY FOR ALL OTHER PLANS, SPECIFICATIONS, ESTIMATES, REPORTS, OR OTHER DOCUMENTS OR INSTRUMENTS NOT SEALED BY THE UNDERSIGNED PROFESSIONAL RELATING TO OR INTENDED TO BE USED FOR ANY PART OR PARTS OF THE PROJECT TO WHICH THIS PAGE REFERS.

REV.	DATE	DESCRIPTION	BY
0	8/21	95% DESIGN COMPLETION	MJC

METROPOLITAN ST. LOUIS SEWER DISTRICT
2350 MARKET STREET
ST. LOUIS, MO 63103
(314) 768-6200

**GLENFIELD SANITARY RELIEF
(WATSON WOODS CT TO S LINDBERGH BLVD)
12264-015.1
SUNSET HILLS
ST. LOUIS COUNTY, MISSOURI**

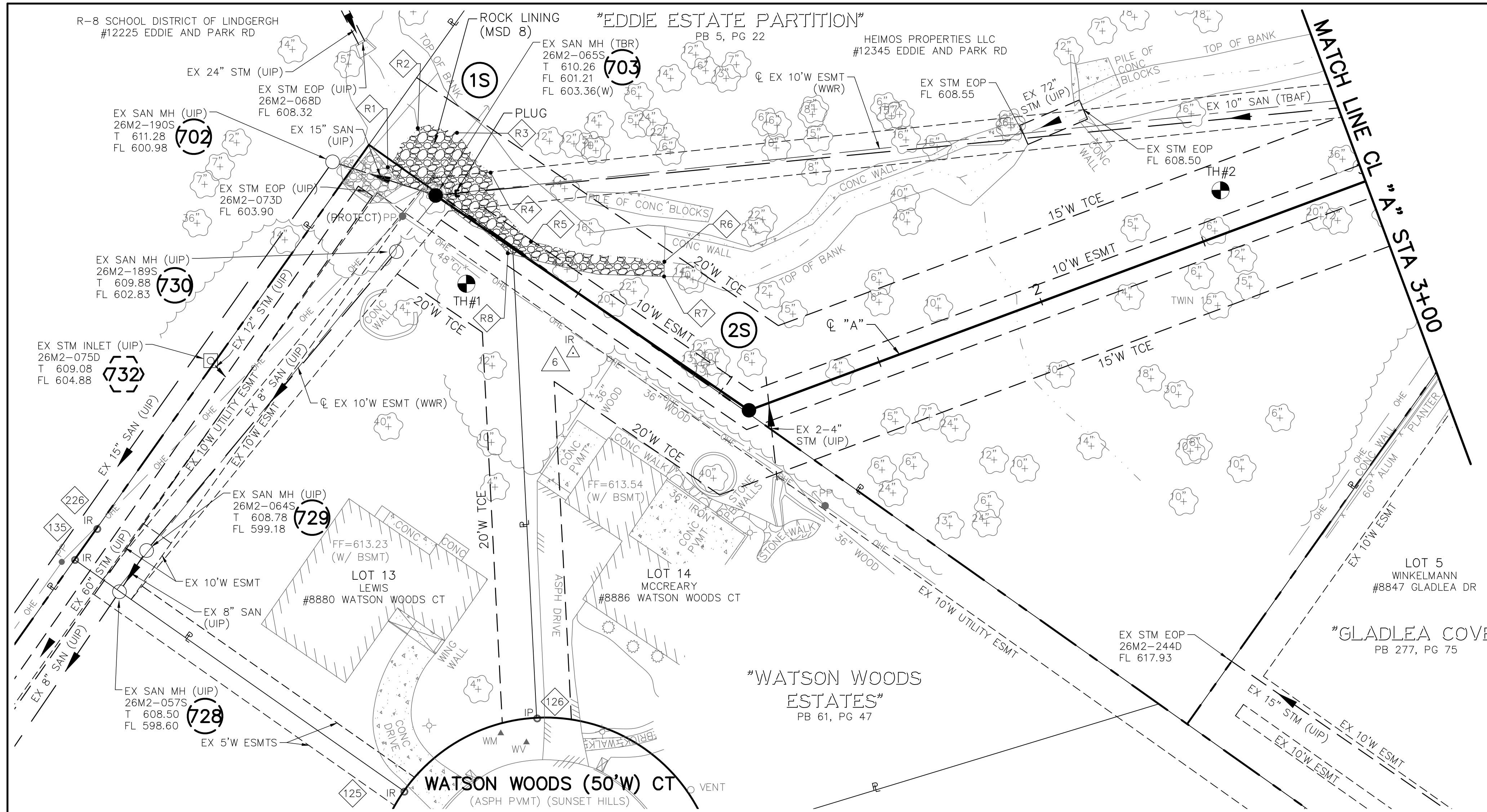
Asset Dir Engr _____
Dir Engr _____
Checked _____
Date AUGUST, 2021
Sheet No. 1 of 8

SCALE: 1"=600'
0 300 600

BURNS & McDONNELL
425 SOUTH WOODS MILL ROAD
CHESTERFIELD, MO 63017
PHONE NUMBER (314) 682-1500
FAX NUMBER (314) 682-1600
LICENSEE NO 000165

Engineer Seal
MICHAEL J. CANULL, P.E.
PROFESSIONAL ENGINEER
P.E. No. 2017027401
Date:

NOTE:
UNDERGROUND FACILITIES, STRUCTURES AND UTILITIES HAVE BEEN PLOTTED FROM AVAILABLE SURVEYS AND RECORDS. THEREFORE, THEIR LOCATIONS MUST BE CONSIDERED APPROXIMATE ONLY. THERE MAY BE OTHERS, THE EXISTENCE OF WHICH IS NOT PRESENTLY KNOWN. IT IS THE RESPONSIBILITY OF THE CONTRACTOR TO HAVE ALL UTILITIES LOCATED IN THE FIELD PRIOR TO EXCAVATION OR CONSTRUCTION.



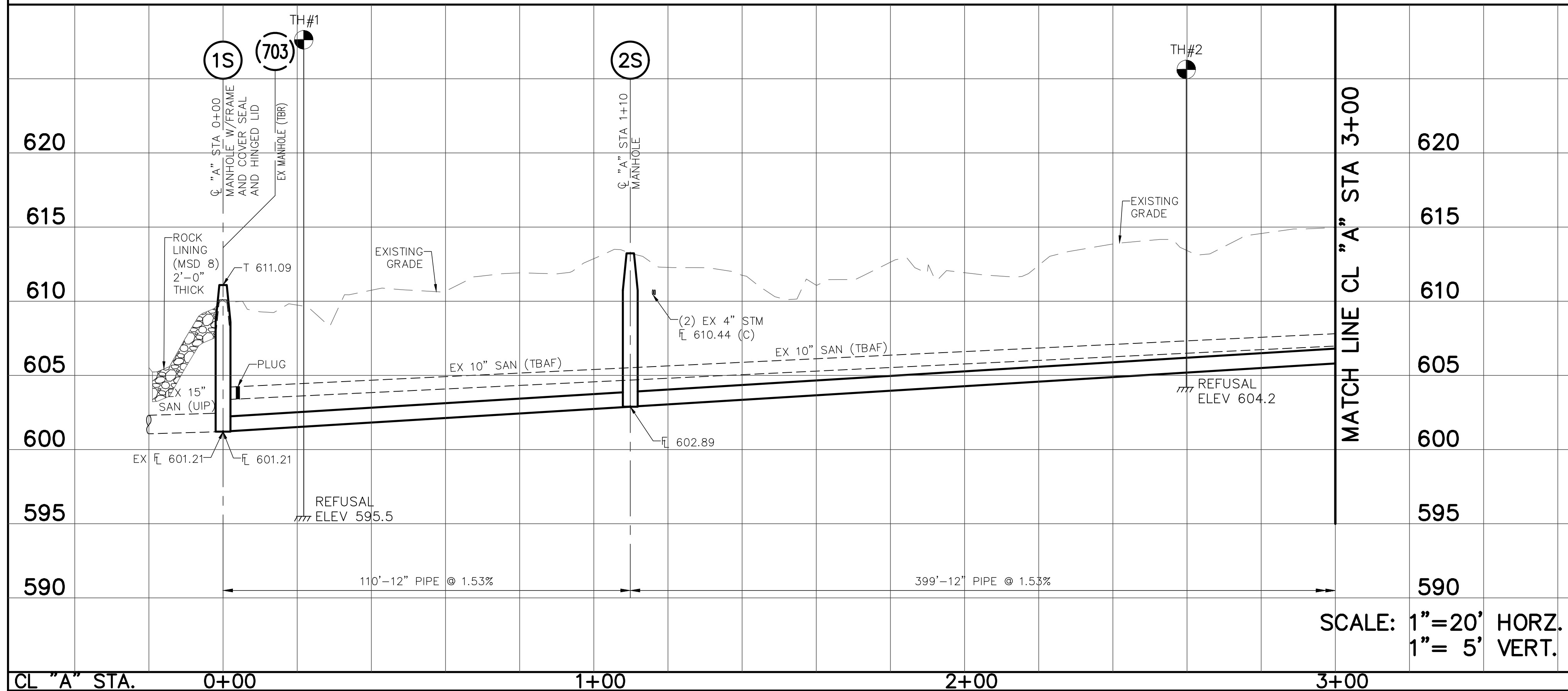
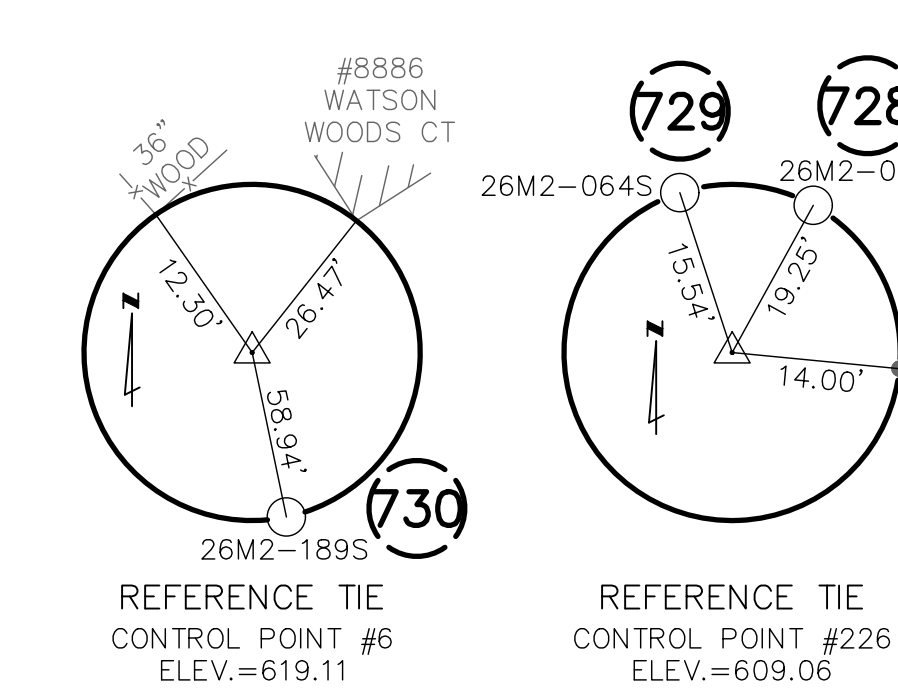
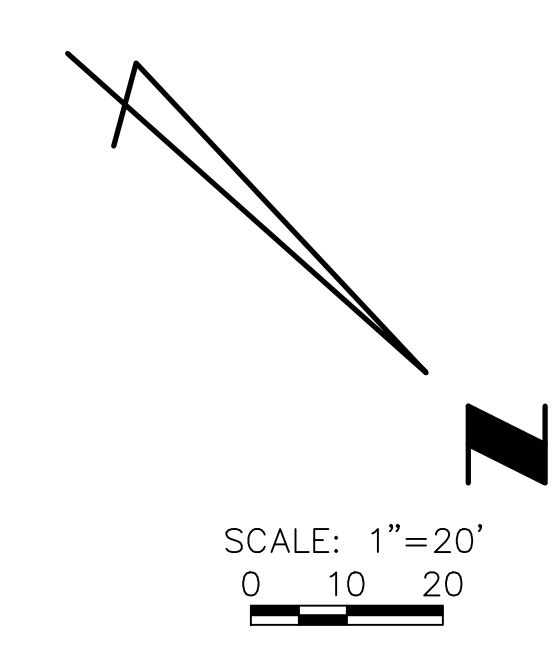
ID	NORTHING	EASTING
R1	988457.26	849267.39
R2	988456.22	849253.17
R3	988465.57	849246.65
R4	988480.50	849248.78
R5	988502.48	849255.92
R6	988535.14	849234.60
R7	988537.91	849237.85
R8	988499.72	849262.87

CONTROL POINT #	MSD ID #	NORTHING	EASTING	DESCRIPTION
6		988533.03	849271.92	IRON ROD
125		988581.00	849399.07	IRON ROD
126		988595.57	849357.71	IRON PIPE
135		988465.32	849412.34	IRON ROD
226		988464.16	849401.39	IRON ROD

PT. #	I.D.	MSD ID #	NORTHING	EASTING	DESCRIPTION
702	702	26M2-190S	988444.30	849276.84	EX SAN MH
728	728	26M2-057S	988481.02	849410.68	EX SAN MH
729	729	26M2-064S	988478.94	849396.55	EX SAN MH
730	730	26M2-189S	988475.33	849283.97	EX SAN MH
732	732	26M2-075D	988456.24	849343.23	EX STM INLET

PT. #	I.D.	MSD ID #	NORTHING	EASTING	DESCRIPTION
703	1S	26M2-065S	988473.03	849264.28	MANHOLE
	2S		988581.99	849250.43	MANHOLE

NOTE:
T. SEEDING SHALL BE USED FROM CL "A" STATION 0+00 TO 3+00.



THE PROFESSIONAL WHOSE SIGNATURE AND PERSONAL SEAL APPEAR HEREON, ASSUMES RESPONSIBILITY ONLY FOR WHAT APPEARS ON THIS PAGE, AND DISCLAIMS (PURSUANT TO SECTION 327.411 RSMO) ANY RESPONSIBILITY FOR ALL OTHER PLANS, SPECIFICATIONS, ESTIMATES, REPORTS, OR OTHER DOCUMENTS OR INSTRUMENTS NOT SEALED BY THE UNDERSIGNED PROFESSIONAL RELATING TO OR INTENDED TO BE USED FOR ANY PART OR PARTS OF THE PROJECT TO WHICH THIS PAGE REFERS.

REV.	DATE	DESCRIPTION	BY
0	8/21	95% DESIGN COMPLETION	MJC

METROPOLITAN ST. LOUIS SEWER DISTRICT
GLENFIELD SANITARY RELIEF
 (WATSON WOODS CT TO S LINDBERGH BLVD)
 12264-015.1
 SUNSET HILLS
 ST. LOUIS COUNTY, MISSOURI

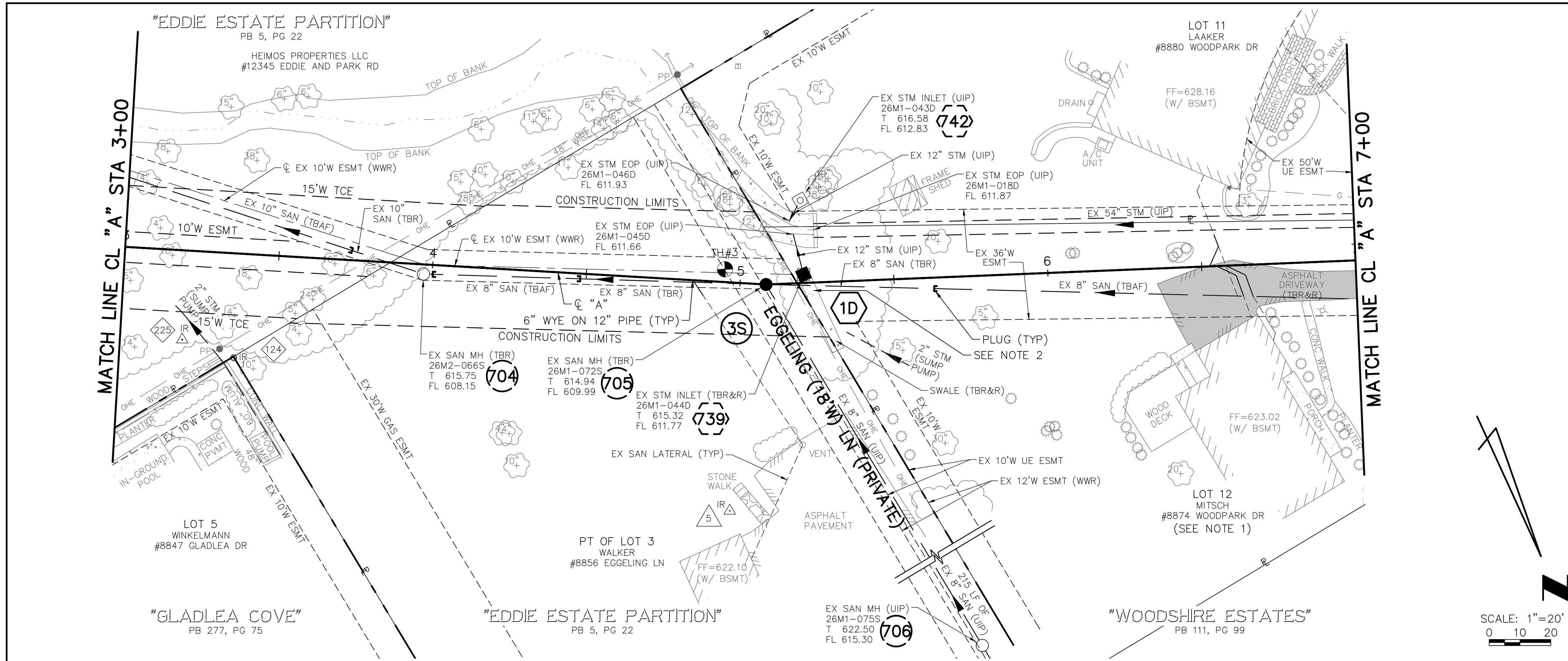
Designed: M.J.C. Date: AUGUST, 2021
 Drawn: C.W.R. Sheet No. 2 of 8
 Checked: C.W.R.

PRELIMINARY

Engineer Seal: MICHAEL J. CANULL, P.E. PROFESSIONAL ENGINEER P.E. No. 2017027401 Date:

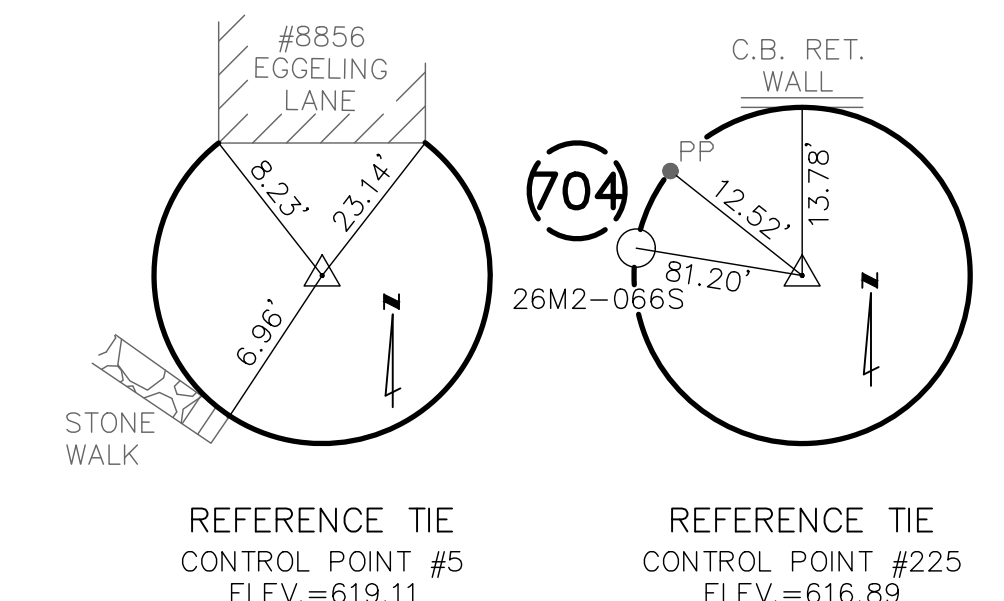
BURNS & McDONNELL
 425 SOUTH WOODS MILL ROAD
 CHESTERFIELD, MO 63017
 PHONE NUMBER (314) 682-1500
 FAX NUMBER (314) 682-1600
 LICENSEE NO 000165

SCALE: 1"=20' HORZ.
 1"= 5' VERT.

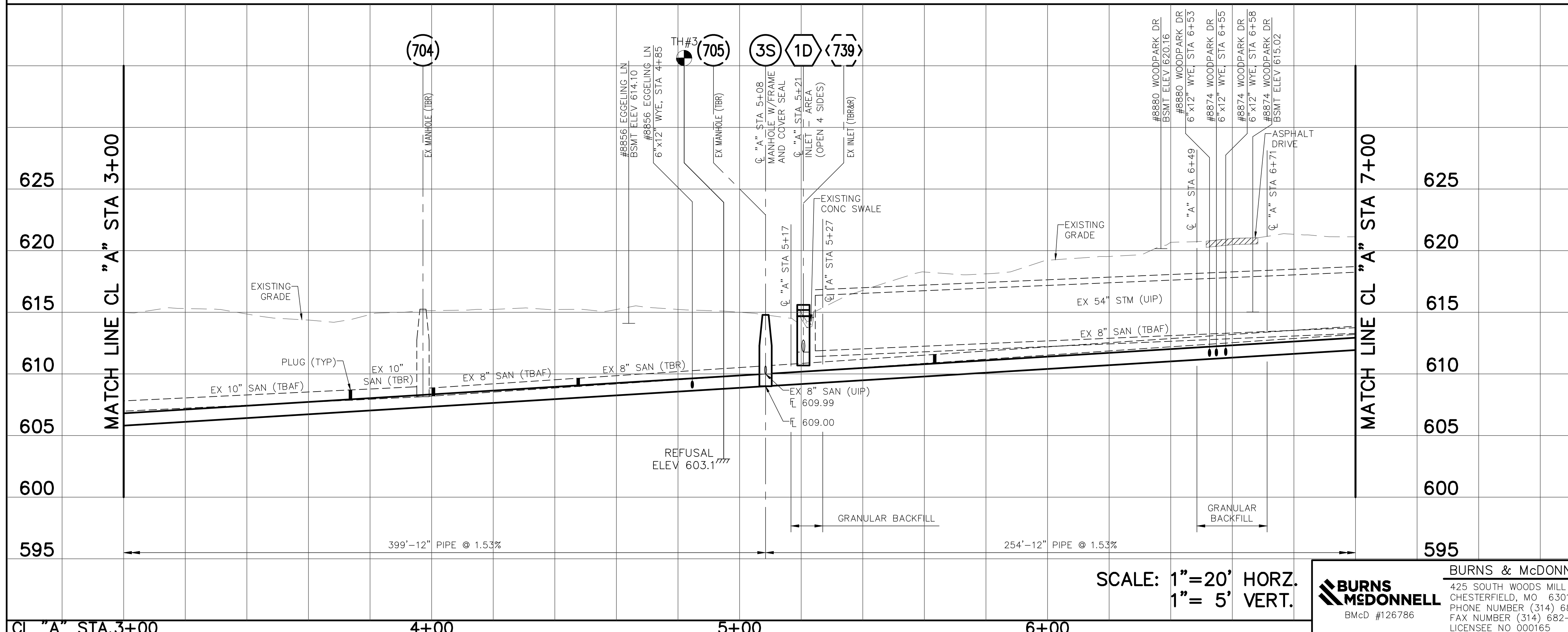


POINT TABLE					
CONTROL POINT #	MSD ID #	NORTHING	EASTING	DESCRIPTION	
5		988830.58	848939.52	IRON ROD	
124		988718.40	849065.35	IRON ROD	
225		988706.12	849078.10	IRON ROD	
EXISTING STRUCTURE TABLE					
PT. #	I.D.	MSD ID #	NORTHING	EASTING	DESCRIPTION
704	704	26M2-066S	988719.28	848997.98	EX SAN MH
706	706	26M1-075S	988982.03	848874.45	EX SAN MH
742	742	26M1-043D	988748.36	848876.75	EX STM INLET
NEW STRUCTURE TABLE					
PT. #	I.D.	MSD ID #	NORTHING	EASTING	DESCRIPTION
739	1D	26M1-044D	988770.74	848885.81	AREA INLET
705	3S	26M1-072S	988768.60	848898.21	MANHOLE

NOTES:
 1. CONTRACTOR SHALL PROVIDE ADVANCE NOTICE TWO (2) DAYS AHEAD OF TIME FOR WORK AT #8874, #8880, #8885, AND #8893 WOODPARK DR.
 2. CONTRACTOR SHALL SAWCUT EXISTING CONCRETE SWALE AT THE PAYLINE WIDTH OF "A".
 3. SEEDING SHALL BE USED FROM CL "A" STATION 3+00 TO 3+87.



SCALE: 1"=20'
 0 10 20



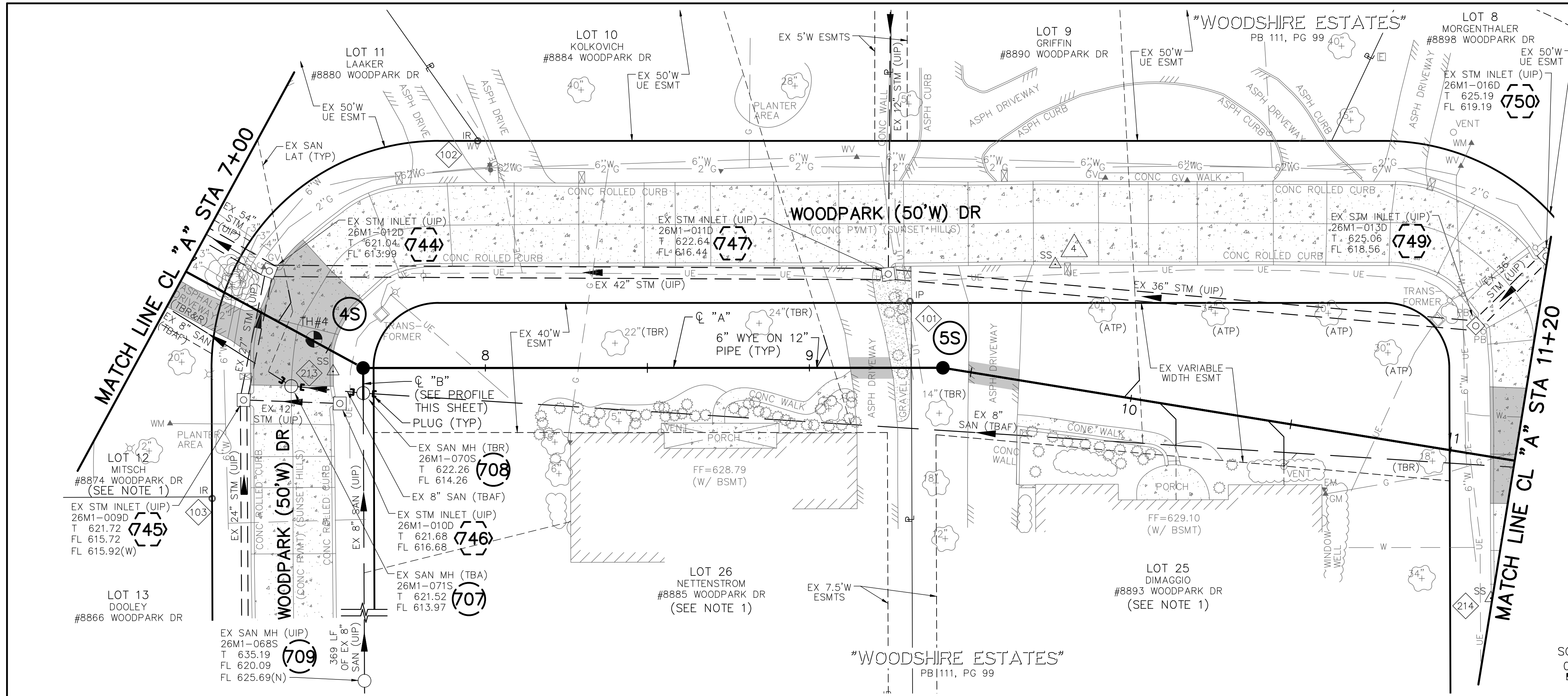
THE PROFESSIONAL WHOSE SIGNATURE AND PERSONAL SEAL APPEAR HEREON, ASSUMES RESPONSIBILITY ONLY FOR WHAT APPEARS ON THIS PAGE, AND DISCLAIMS (PURSUANT TO SECTION 327.411 RSMO) ANY RESPONSIBILITY FOR ALL OTHER PLANS, SPECIFICATIONS, ESTIMATES, REPORTS, OR OTHER DOCUMENTS OR INSTRUMENTS NOT SEALED BY THE UNDERSIGNED PROFESSIONAL RELATING TO OR INTENDED TO BE USED FOR ANY PART OR PARTS OF THE PROJECT TO WHICH THIS PAGE REFERS.

0	8/21	95% DESIGN COMPLETION	MJC
REV.	DATE	DESCRIPTION	BY
METROPOLITAN ST. LOUIS SEWER DISTRICT GLENFIELD SANITARY RELIEF (WATSON WOODS CT TO S LINDBERGH BLVD) 12264-015.1 SUNSET HILLS ST. LOUIS COUNTY, MISSOURI			
Designed	M.J.C.	Date	AUGUST, 2021
Drawn			
Checked	C.W.R.	Sheet No.	3 of 8

Engineer Seal
 MICHAEL J. CANULL, P.E.
 PROFESSIONAL ENGINEER
 P.E. No. 2017027401
 Date:

BURNS & McDONNELL
 425 SOUTH WOODS MILL ROAD
 CHESTERFIELD, MO 63017
 PHONE NUMBER (314) 682-1500
 FAX NUMBER (314) 682-1600
 LICENSEE NO 000165

SCALE: 1"=20' HORZ.
 1"= 5' VERT.

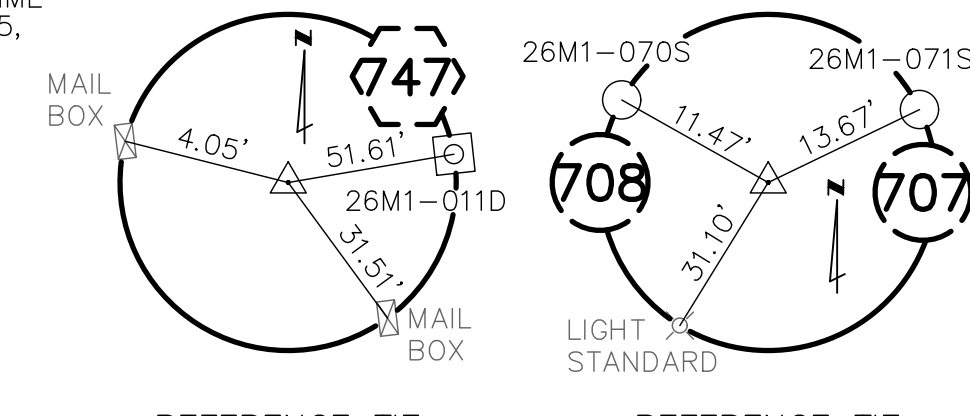


POINT TABLE				
CONTROL POINT #	MSD ID #	NORTHING	EASTING	DESCRIPTION
4		988809.23	848454.43	CUT CROSS
101		988825.54	848497.76	IRON PIPE
102		988791.00	848635.78	IRON ROD
103		988909.70	848705.08	IRON ROD
213		988866.63	848672.32	CUT CROSS
214		988896.84	848309.44	CUT CROSS

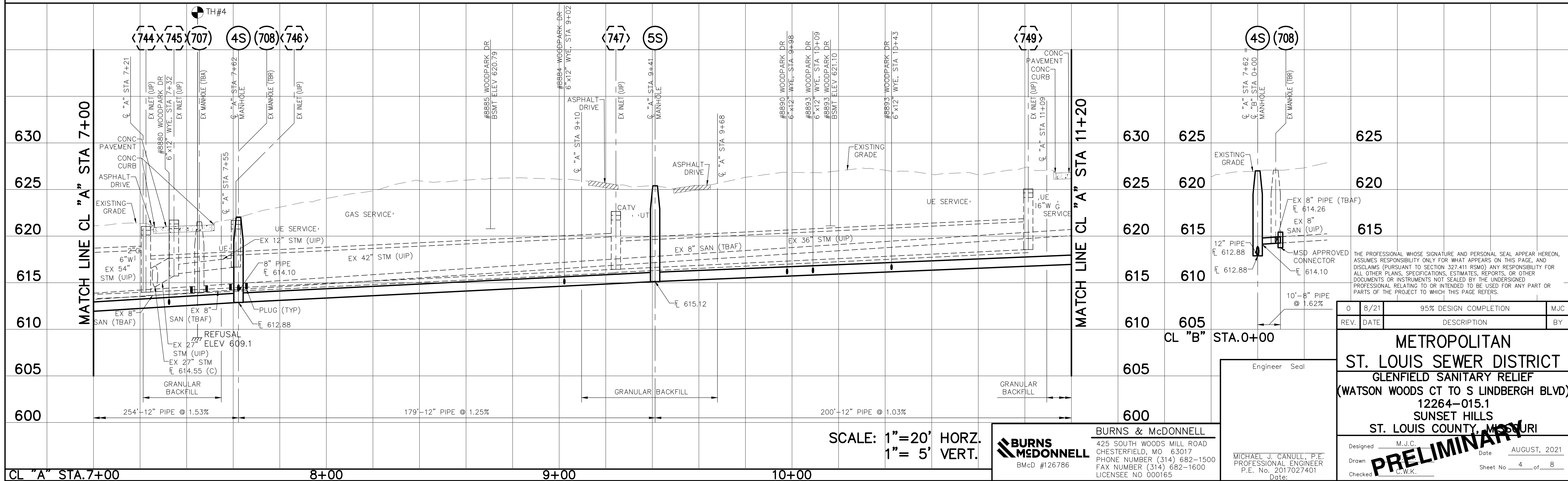
EXISTING STRUCTURE TABLE					
PT. #	I.D.	MSD ID #	NORTHING	EASTING	DESCRIPTION
707	707	26M1-071S	988872.57	848684.64	EX SAN MH
708	708	26M1-070S	988872.26	848662.33	EX SAN MH
709	709	26M1-068S	989238.82	848620.15	EX SAN MH
744	744	26M1-012D	988837.98	848695.28	EX STM INLET
745	745	26M1-009D	988878.42	848698.79	EX STM INLET
746	746	26M1-010D	988876.24	848669.17	EX STM INLET
747	747	26M1-011D	988817.92	848505.30	EX STM INLET
749	749	26M1-013D	988813.83	848323.34	EX STM INLET
750	750	26M1-016D	988790.07	848304.12	EX STM INLET

NEW STRUCTURE TABLE					
PT. #	I.D.	MSD ID #	NORTHING	EASTING	DESCRIPTION
4S			988864.56	848663.22	MANHOLE
5S			988844.82	848485.37	MANHOLE

NOTE:
 1. CONTRACTOR SHALL PROVIDE ADVANCE NOTICE TWO (2) DAYS AHEAD OF TIME FOR WORK AT #8874, #8880, #8885, AND #8893 WOODPARK DR.



SCALE: 1"=20'
 0 10 20



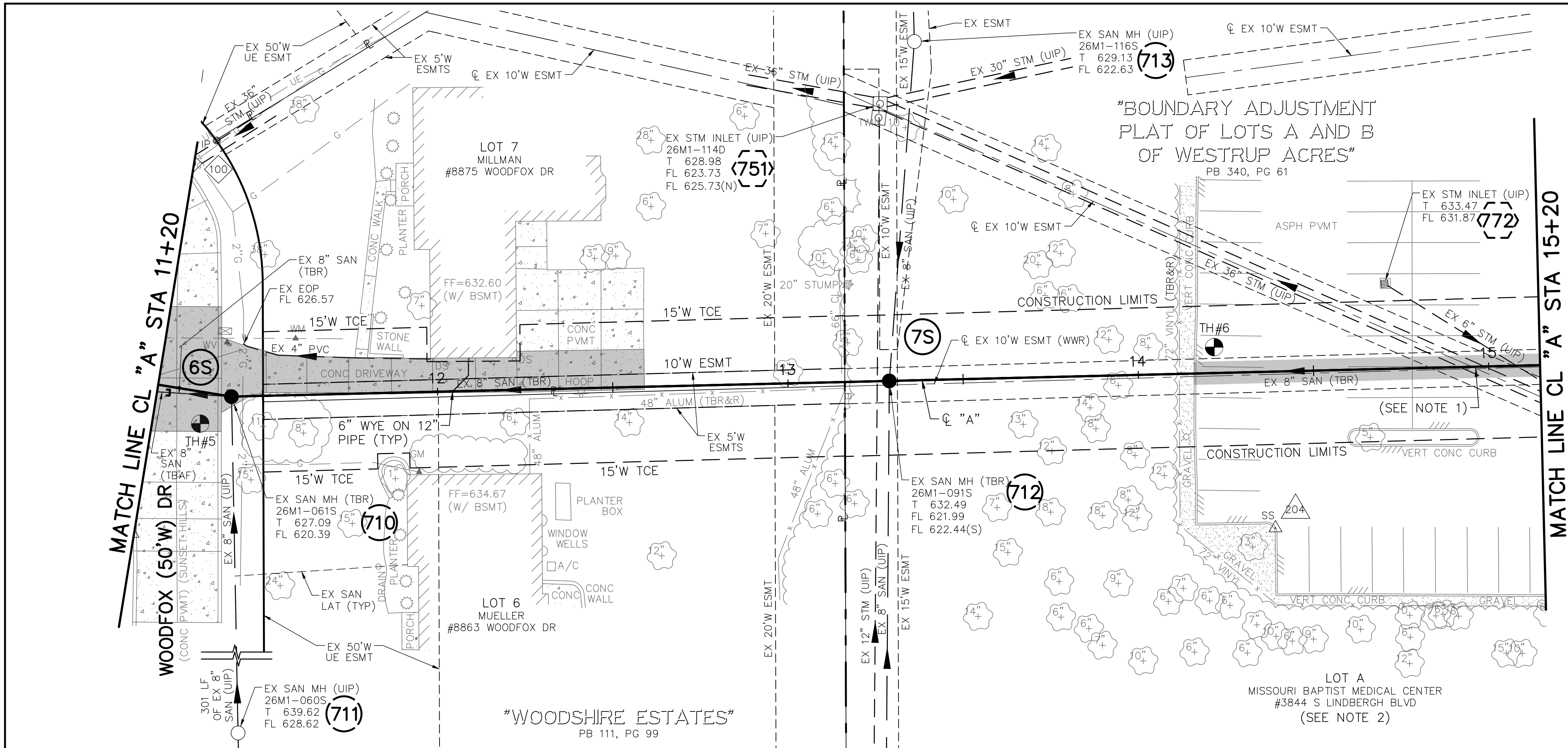
SCALE: 1"=20' HORZ.
 1"= 5' VERT.

BURNS & McDONNELL
 BMcD #126786

BURNS & McDONNELL
 425 SOUTH WOODS MILL ROAD
 CHESTERFIELD, MO 63017
 PHONE NUMBER (314) 682-1500
 FAX NUMBER (314) 682-1600
 LICENSEE NO 000165

Engineer Seal
 MICHAEL J. CANULL, P.E.
 PROFESSIONAL ENGINEER
 P.E. No. 2017027401
 Date: _____

0	8/21	95% DESIGN COMPLETION	MJC
REV.	DATE	DESCRIPTION	BY
METROPOLITAN ST. LOUIS SEWER DISTRICT GLENFIELD SANITARY RELIEF (WATSON WOODS CT TO S LINDBERGH BLVD) 12264-015.1 SUNSET HILLS ST. LOUIS COUNTY, MISSOURI			
Designed	M.J.C.	Date	AUGUST, 2021
Drawn		Sheet No	4 of 8
Checked	C.W.R.		

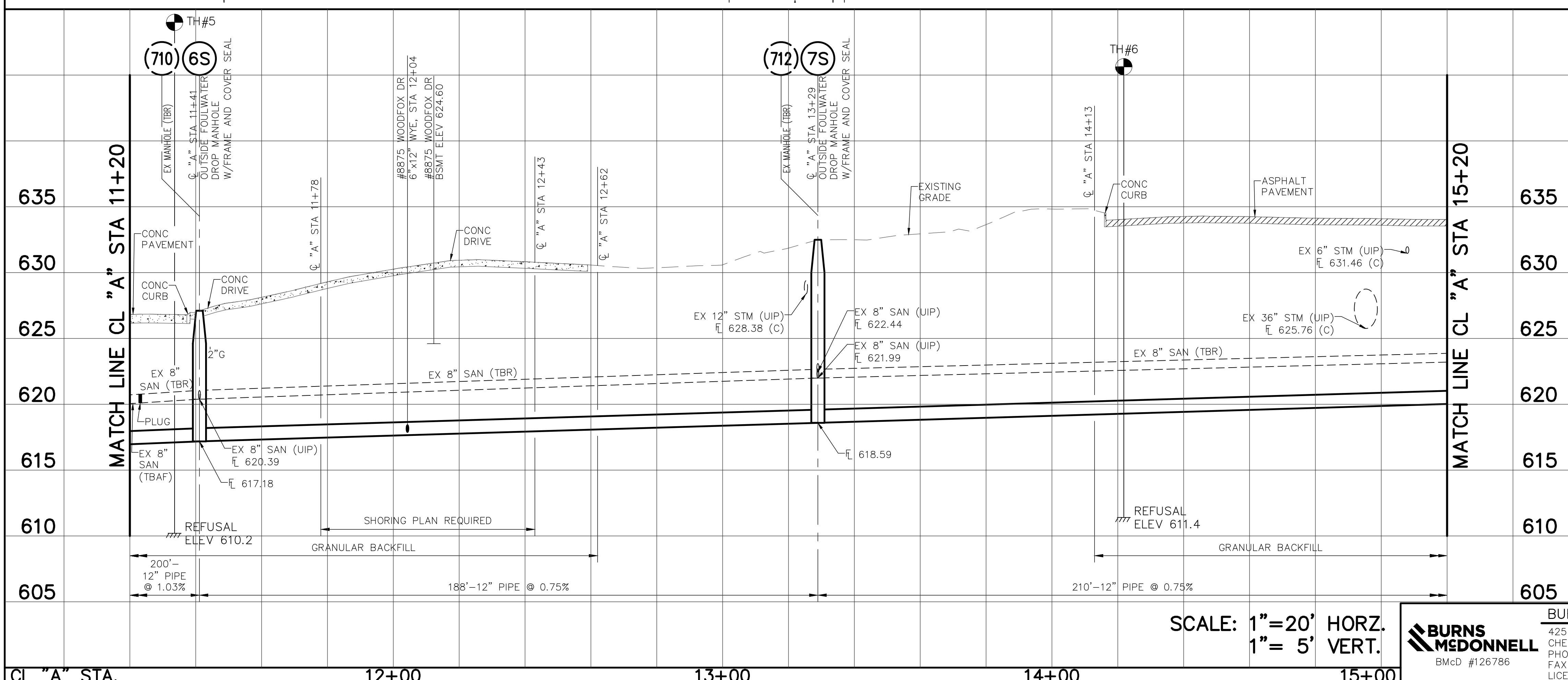
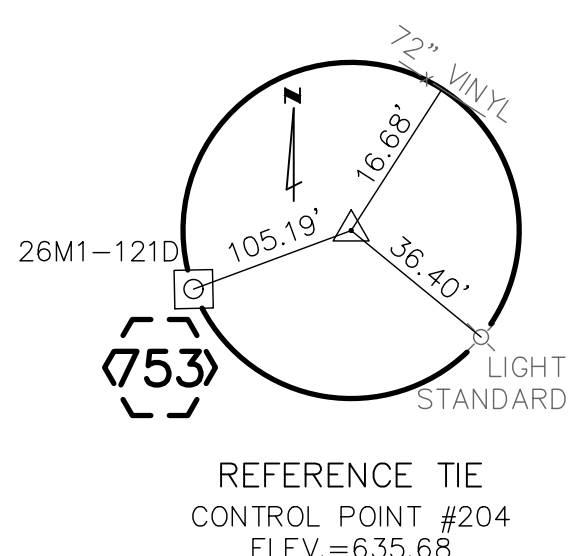
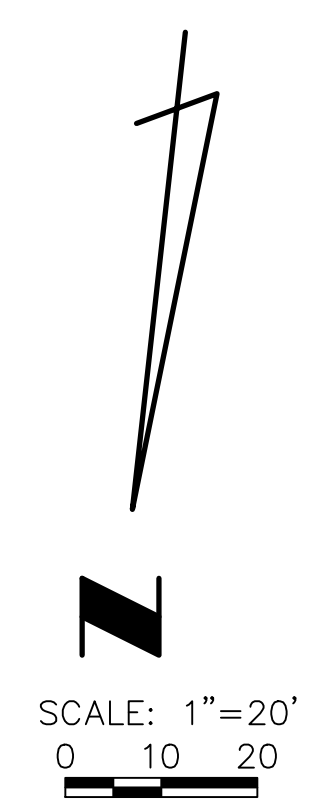


POINT TABLE				
CONTROL POINT #	MSD ID #	NORTHING	EASTING	DESCRIPTION
100		988782.81	848297.88	IRON PIPE
204		988859.41	847985.47	CUT CROSS

EXISTING STRUCTURE TABLE					
PT. #	I.D.	MSD ID #	NORTHING	EASTING	DESCRIPTION
711	711	26M1-060S	989153.77	848246.58	EX SAN MH
713	713	26M1-116S	988732.84	848103.14	EX SAN MH
751	751	26M1-114D	988751.54	848110.90	EX STM INLET
772	772	--	988786.71	847962.21	EX STM INLET

NEW STRUCTURE TABLE					
PT. #	I.D.	MSD ID #	NORTHING	EASTING	DESCRIPTION
710	6S	26M1-061S	988854.93	848285.69	MANHOLE
712	7S	26M1-091S	988829.83	848099.59	MANHOLE

NOTES:
 1. CONTRACTOR SHALL SUBMIT PLAN FOR EXISTING 36-INCH STORM SEWER CROSSING.
 2. CONTRACTOR SHALL SUBMIT TRAFFIC CONTROL PLAN FOR COMMERCIAL PARKING LOTS THAT ARE IMPACTED DURING CONSTRUCTION.



THE PROFESSIONAL WHOSE SIGNATURE AND PERSONAL SEAL APPEAR HEREON, ASSUMES RESPONSIBILITY ONLY FOR WHAT APPEARS ON THIS PAGE, AND DISCLAIMS (PURSUANT TO SECTION 327.411 RSMO) ANY RESPONSIBILITY FOR ALL OTHER PLANS, SPECIFICATIONS, ESTIMATES, REPORTS, OR OTHER DOCUMENTS OR INSTRUMENTS NOT SEALED BY THE UNDERSIGNED PROFESSIONAL RELATING TO OR INTENDED TO BE USED FOR ANY PART OR PARTS OF THE PROJECT TO WHICH THIS PAGE REFERS.

0	8/21	95% DESIGN COMPLETION	MJC
REV.	DATE	DESCRIPTION	BY

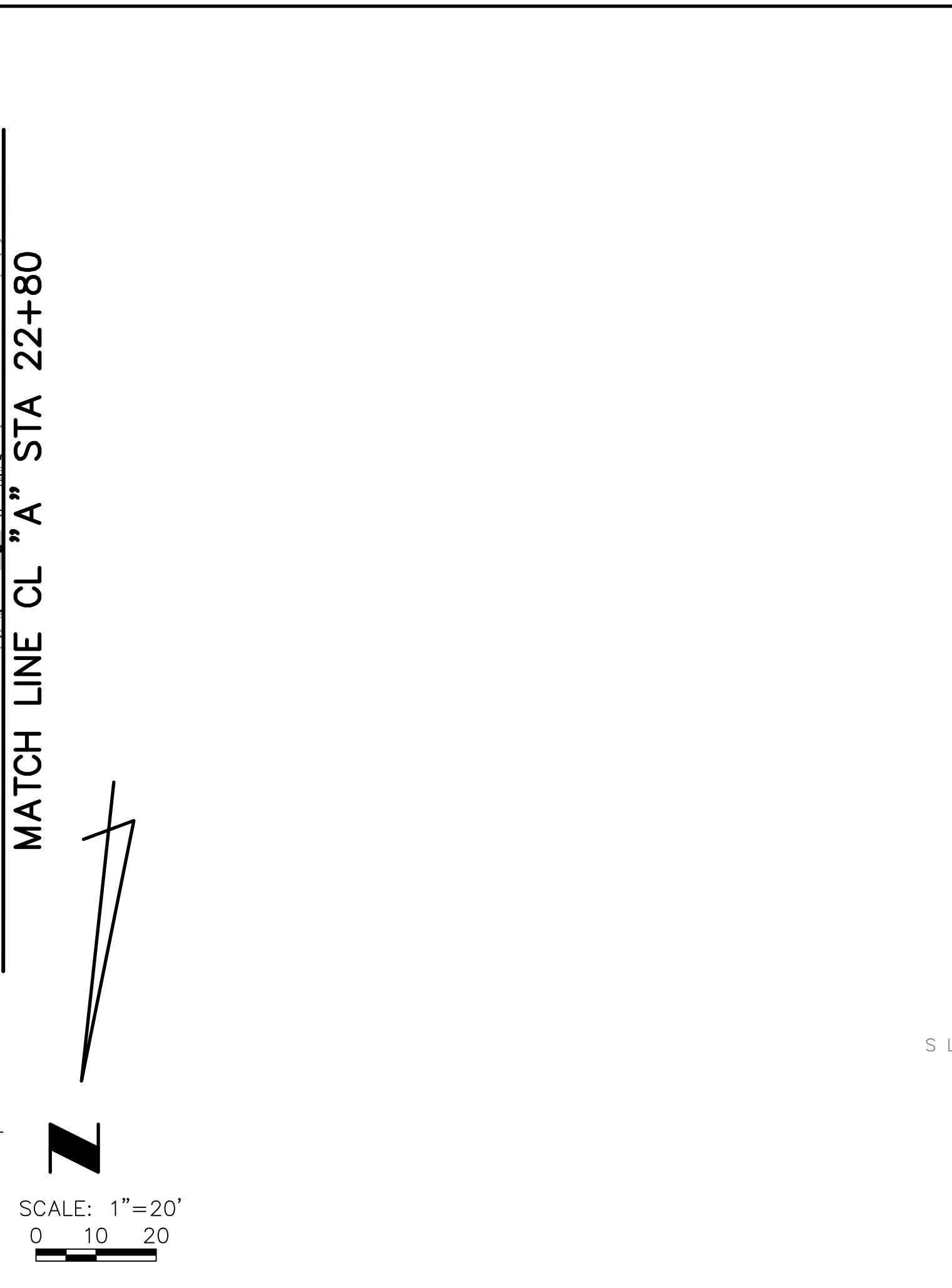
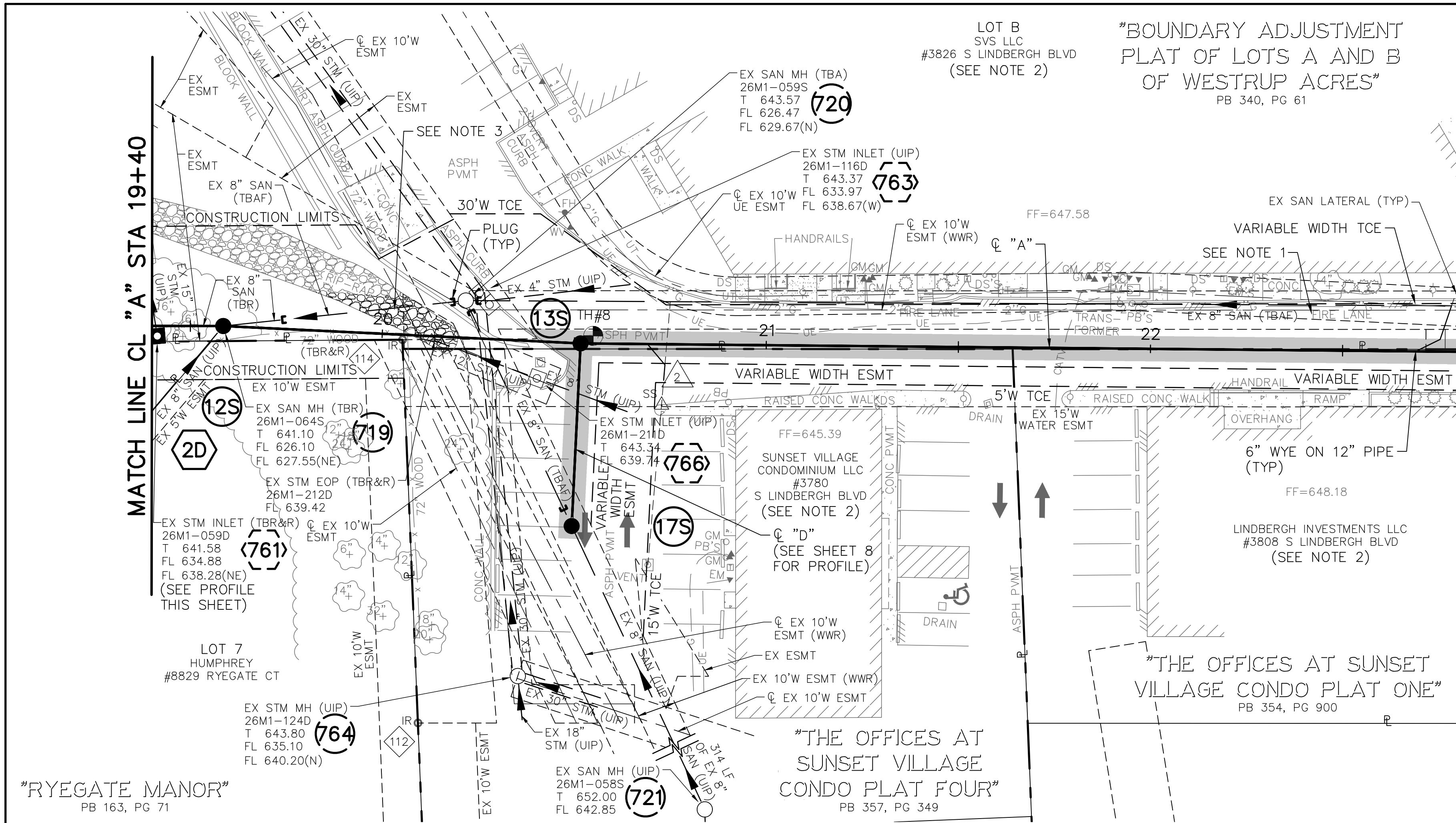
**METROPOLITAN
ST. LOUIS SEWER DISTRICT
GLENFIELD SANITARY RELIEF
(WATSON WOODS CT TO S LINDBERGH BLVD)
12264-015.1
SUNSET HILLS
ST. LOUIS COUNTY, MISSOURI**

Designed: M.J.C. Date: AUGUST, 2021
 Drawn: _____
 Checked: C.W.R. Sheet No. 5 of 8

SCALE: 1"=20' HORZ.
1"=5' VERT.

BURNS & McDONNELL
 425 SOUTH WOODS MILL ROAD
 CHESTERFIELD, MO 63017
 PHONE NUMBER (314) 682-1500
 FAX NUMBER (314) 682-1600
 LICENSEE NO 000165

MICHAEL J. CANULL, P.E.
 PROFESSIONAL ENGINEER
 P.E. No. 2017027401
 Date:

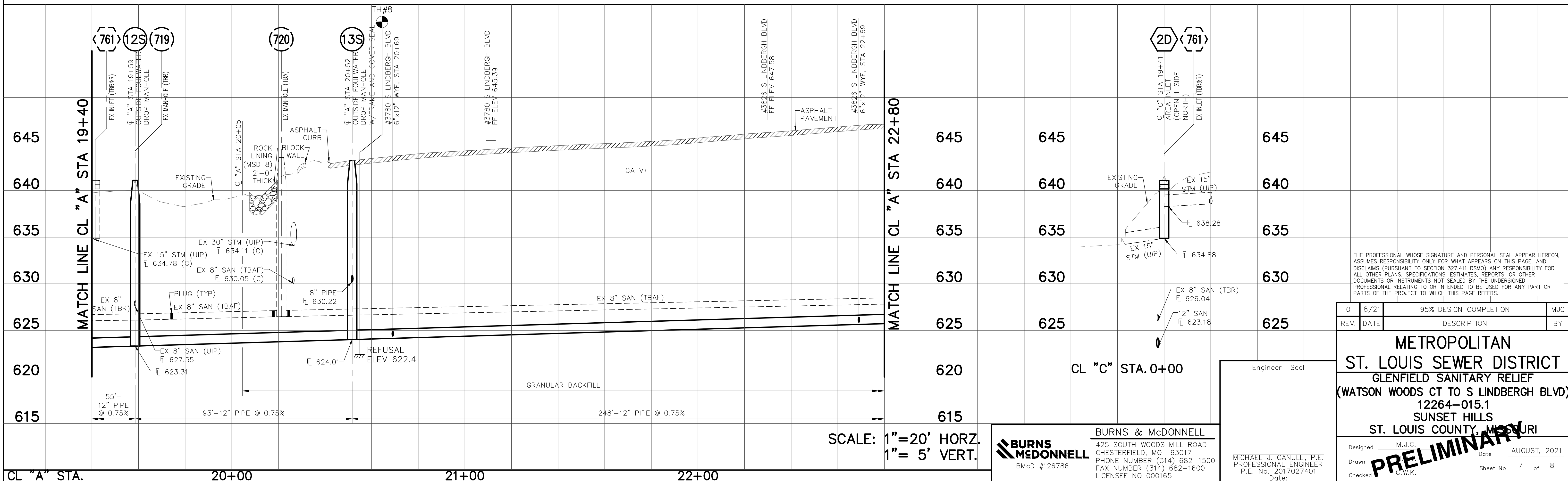
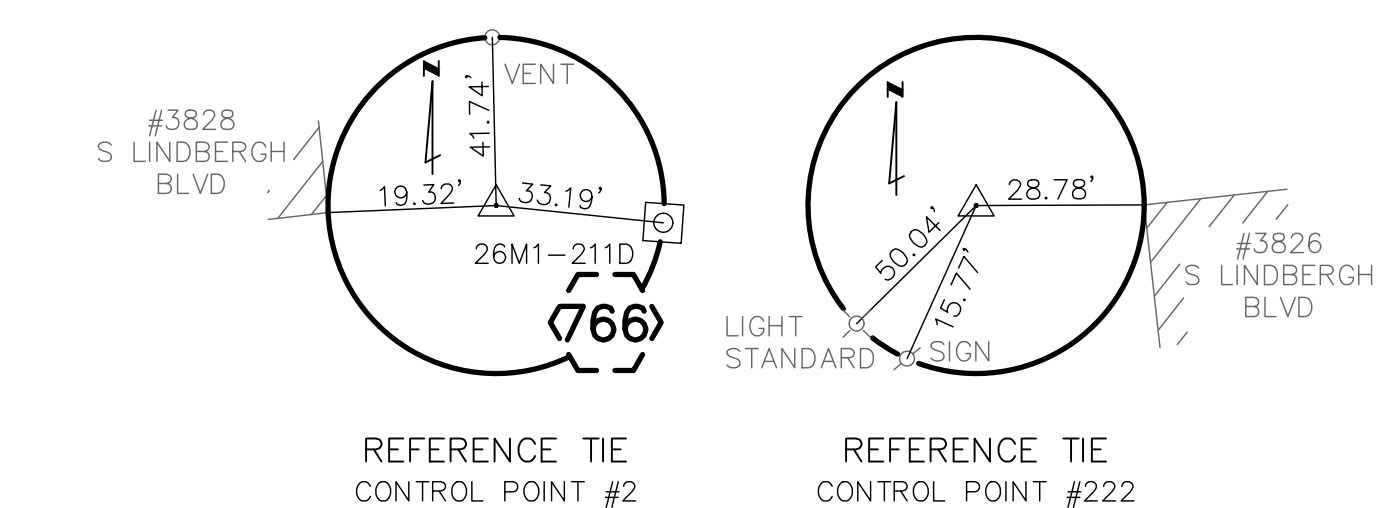


POINT TABLE				
CONTROL POINT #	MSD ID #	NORTHING	EASTING	DESCRIPTION
2		988934.23	847434.23	CUT CROSS
112		989023.33	847488.35	IRON ROD
114		988924.58	847503.09	IRON ROD

EXISTING STRUCTURE TABLE					
PT. #	I.D.	MSD ID #	NORTHING	EASTING	DESCRIPTION
720	720	26M1-059S	988912.68	847487.83	EX SAN MH
721	721	26M1-058S	989236.61	847290.60	EX SAN MH
763	763	26M1-116D	988910.30	847484.45	EX STM INLET
764	764	26M1-124D	989008.40	847463.84	EX STM MH
766	766	26M1-211D	988930.82	847467.24	EX STM INLET

NEW STRUCTURE TABLE					
PT. #	I.D.	MSD ID #	NORTHING	EASTING	DESCRIPTION
761	2D	26M1-059D	988930.51	847566.65	AREA INLET
719	12S	26M1-064S	988926.06	847549.87	MANHOLE
13S			988920.54	847456.93	MANHOLE
17S			988968.06	847454.11	MANHOLE

NOTES:
 1. CONTRACTOR SHALL COORDINATE WITH MEHLVILLE FIRE DEPARTMENT REGARDING THE FIRE LANE ON #3826 S LINDBERGH BLVD TO INFORM THE MEHLVILLE FIRE DEPARTMENT ABOUT THE CONSTRUCTION PERIOD, APPROXIMATE TIME FRAME THE FIRE LANE WILL BE CLOSED, AND WHEN THE FIRE LANE WILL BE REOPENED.
 2. CONTRACTOR SHALL SUBMIT TRAFFIC CONTROL PLAN FOR COMMERCIAL PARKING LOTS THAT ARE IMPACTED DURING CONSTRUCTION.
 3. PAYLINE WIDTH FOR ROCK LINING SHALL BE 20 FEET WIDE, THE 20-FOOT WIDTH SHALL BE CENTERED ON PIPE, AND SHALL NOT EXTEND PAST EXISTING LIMITS OF ROCK LINING.

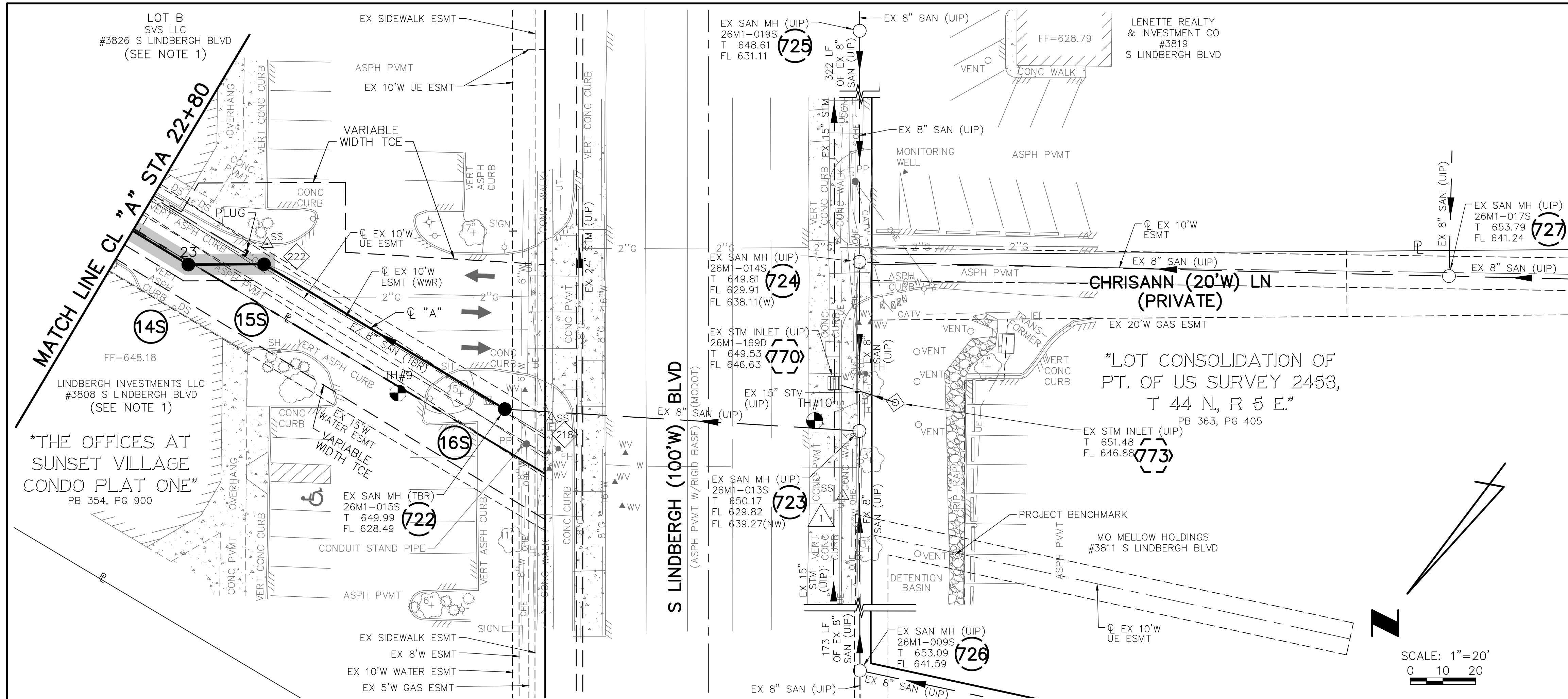


THE PROFESSIONAL WHOSE SIGNATURE AND PERSONAL SEAL APPEAR HEREON, ASSUMES RESPONSIBILITY ONLY FOR WHAT APPEARS ON THIS PAGE, AND DISCLAIMS (PURSUANT TO SECTION 327.411 RSMO) ANY RESPONSIBILITY FOR ALL OTHER PLANS, SPECIFICATIONS, ESTIMATES, REPORTS, OR OTHER DOCUMENTS OR INSTRUMENTS NOT SEALED BY THE UNDERSIGNED PROFESSIONAL RELATING TO OR INTENDED TO BE USED FOR ANY PART OR PARTS OF THE PROJECT TO WHICH THIS PAGE REFERS.

0	8/21	95% DESIGN COMPLETION	MJC
REV.	DATE	DESCRIPTION	BY

**METROPOLITAN
ST. LOUIS SEWER DISTRICT**
 GLENFIELD SANITARY RELIEF
 (WATSON WOODS CT TO S LINDBERGH BLVD)
 12264-015.1
 SUNSET HILLS
 ST. LOUIS COUNTY, MISSOURI

Designed: M.J.C. Date: AUGUST, 2021
 Drawn: _____
 Checked: C.W.R. Sheet No. 7 of 8

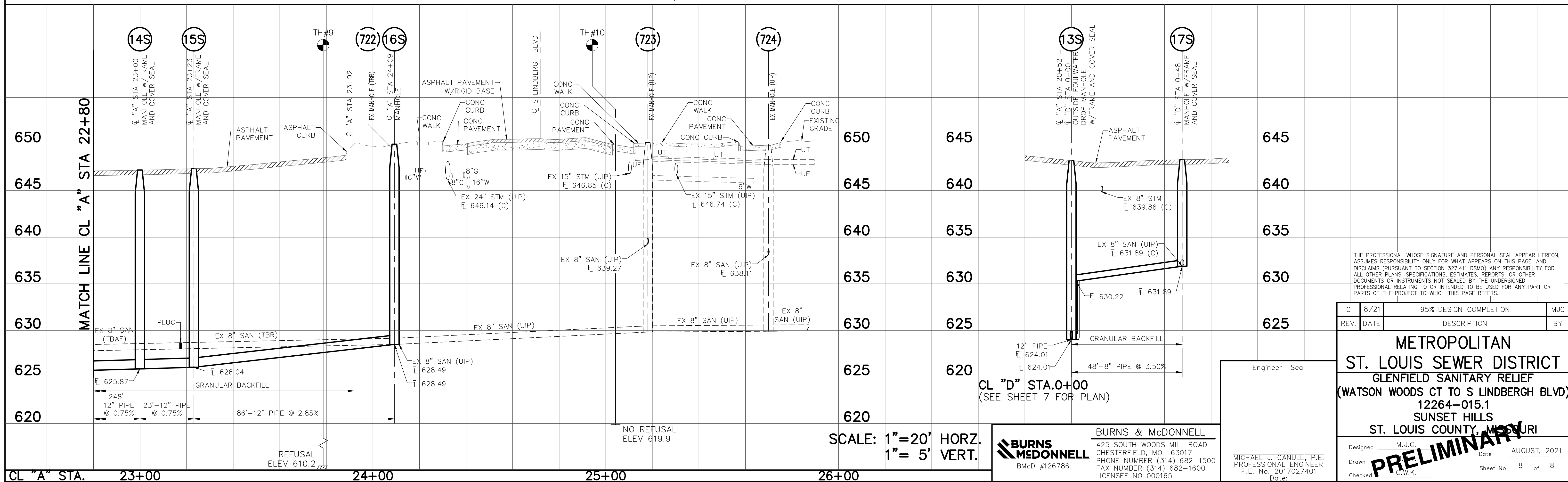
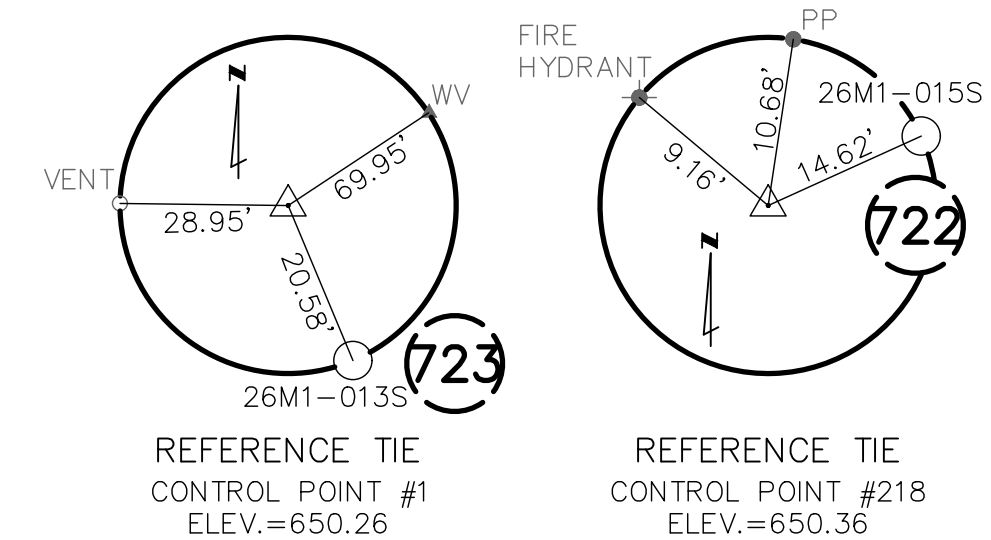


POINT TABLE				
CONTROL POINT #	MSD ID #	NORTHING	EASTING	DESCRIPTION
1		988832.42	847006.93	CUT CROSS
218		988867.30	847092.39	CUT CROSS
222		988876.60	847194.33	CUT CROSS

EXISTING STRUCTURE TABLE					
PT. #	I.D.	MSD ID #	NORTHING	EASTING	DESCRIPTION
723	723	26M1-013S	988813.43	847014.86	EX SAN MH
724	724	26M1-014S	988771.97	847045.96	EX SAN MH
725	725	26M1-019S	988514.18	847239.32	EX SAN MH
726	726	26M1-009S	988951.79	846910.32	EX SAN MH
727	727	26M1-017S	988666.94	846898.96	EX SAN MH
770	770	26M1-169D	988806.28	847029.77	EX STM INLET
773	773	--	988799.82	847011.28	EX STM INLET

NEW STRUCTURE TABLE					
PT. #	I.D.	MSD ID #	NORTHING	EASTING	DESCRIPTION
	14S		988896.17	847209.87	MANHOLE
	15S		988882.15	847191.38	MANHOLE
	722	26M1-015S	988873.33	847105.71	MANHOLE

NOTE:
1. CONTRACTOR SHALL SUBMIT TRAFFIC CONTROL PLAN FOR COMMERCIAL PARKING LOTS THAT ARE IMPACTED DURING CONSTRUCTION.



THE PROFESSIONAL WHOSE SIGNATURE AND PERSONAL SEAL APPEAR HEREON, ASSUMES RESPONSIBILITY ONLY FOR WHAT APPEARS ON THIS PAGE, AND DISCLAIMS (PURSUANT TO SECTION 327.411 RSMO) ANY RESPONSIBILITY FOR ALL OTHER PLANS, SPECIFICATIONS, ESTIMATES, REPORTS, OR OTHER DOCUMENTS OR INSTRUMENTS NOT SEALED BY THE UNDERSIGNED PROFESSIONAL RELATING TO OR INTENDED TO BE USED FOR ANY PART OR PARTS OF THE PROJECT TO WHICH THIS PAGE REFERS.

0	8/21	95% DESIGN COMPLETION	MJC
REV.	DATE	DESCRIPTION	BY

**METROPOLITAN
ST. LOUIS SEWER DISTRICT**

**GLENFIELD SANITARY RELIEF
(WATSON WOODS CT TO S LINDBERGH BLVD)
12264-015.1
SUNSET HILLS
ST. LOUIS COUNTY, MISSOURI**

Designed: M.J.C. Date: AUGUST, 2021
 Drawn: C.W.R. Sheet No. 8 of 8
 Checked: C.W.R.

Engineer Seal
MICHAEL J. CANULL, P.E.
PROFESSIONAL ENGINEER
P.E. No. 2017027401
Date:

BURNS & McDONNELL
425 SOUTH WOODS MILL ROAD
CHESTERFIELD, MO 63017
PHONE NUMBER (314) 682-1500
FAX NUMBER (314) 682-1600
LICENSEE NO 000165